



Industrial Vandal-Resistant Touchscreen Video Telephone

MAIN FEATURES

The Handset Tablet PC is designed to meet the needs of client who experience loss through vandalism. Ideal for parking lots, prisons, railway/metro platforms, hospitals, police stations, ATM machines, stadiums etc.

Housed in cold rolled steel box and manufactured to a high standard, these Tablet PCs offer increased resistance to vandalism, and ensure that the primary function of communications is maintained at all times.

- 10.1" Tablet PC with handset
- Robust housing, constructed of cold rolled steel with powder coated
- Vandal resistant handset and armored cord
- Anti-Vandal touch screen, with camera built in the PC, for two-way video calls with customer's APP
- Wall mounting, simple installation
- Inductive coupler fitted as standard for hard of hearing
- CE, ISO9001 compliant

TECHNICAL SPECIFICATIONS

Technical Specifications	
Screen	10.1" 720*1280 IPS capacitive screen with touch function
OS	Support Android 12 OS
SOC	RK3568
CPU	Quad-core Cortex-A55 CPU, with 2.0 GHz
GPU	ARM G52 2EE, support OpenGL ES 1.1/2.0/3.2, OpenCL 2.0, Vulkan 1.1
DDR	4G DDR4
RAM	64 GB eMMC TF-Card Slot x1 to extend
Camera	Front 5MP
Power	DC12V
Oher Specifications	
Support RJ45, with 8 x USB 2.0Port	
Support WIFI/BT4.2/external 4G module (optional)	
Sim card slot x1, 4 xGPIO, IR slot, fan slot	
HDMI2.0/MIPI DSI/EDP/LVDS	

APPLICATION SCENARIO



Metro



Airport



Bus Station



Business center



Prison



Hospital

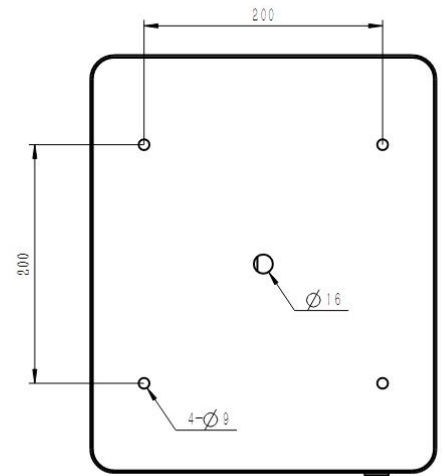
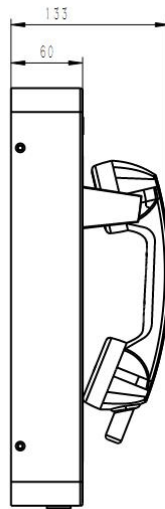
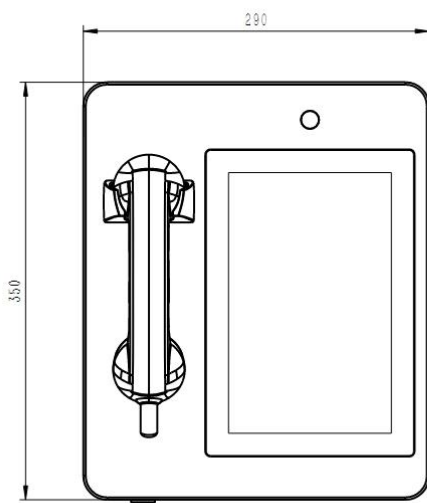


Bank



School

DIMENSIONS



Package	
Unit size	350 * 290 * 60 (mm)
Shipping Dimensions	400*320 *70 (mm)
Packaging materials	Pearl cotton, carton
Weight	Gross weight: 4 KG / Net weight: 5 KG

